

Navel Selection



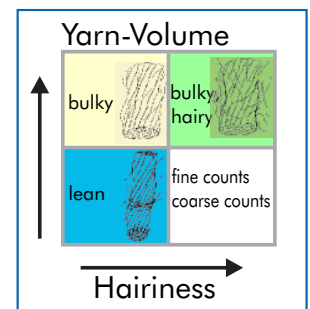
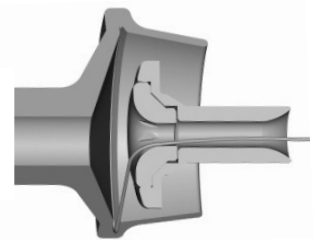
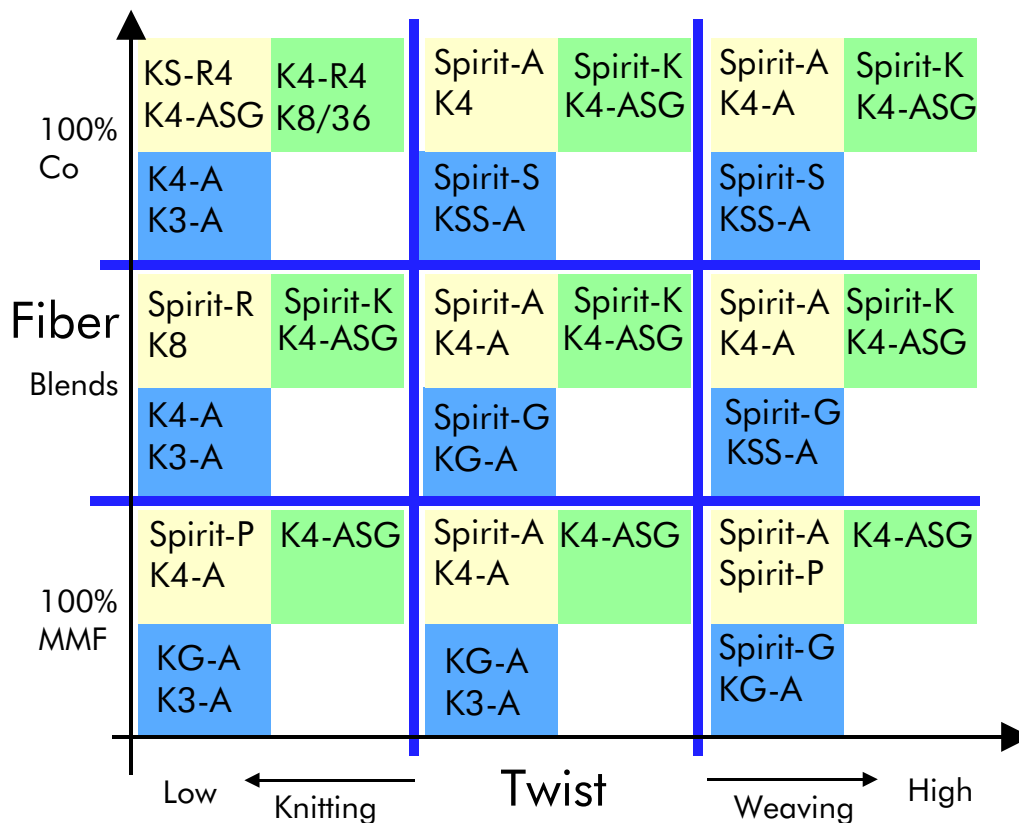
On the basis of extensive and comparative investigations with navels by our company - regardless if they are our own developments of the SPIRIT series or traditional navels (KS, KG, K3, K4, K8, K8/36) - we are now in a position to provide assistance considering both, the aspects of productivity, as well as appearance of the yarn.

The assistance is put on as selection diagram.

Implemented into the diagram is a hairiness - volume diagram.

Within the colored areas, in each case two navel types are indicated: the upper line is more suited for finer yarns, the navel below rather is recommended for coarser yarns.

designed to improve your yarn

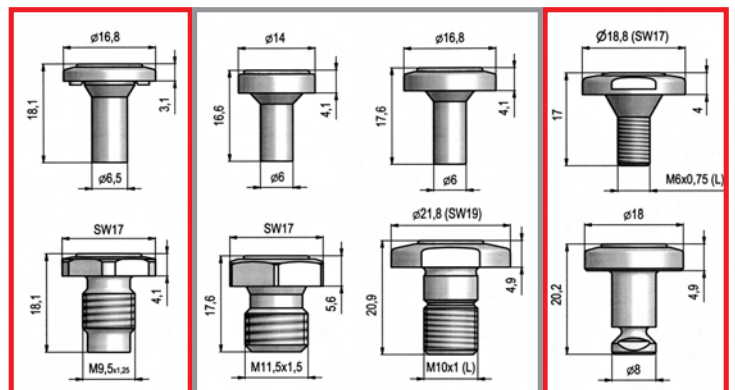


all boxes supported

BROELL-navels are suited for increasingly high rotor speeds and are always ahead.

Their precise tuning of geometry and surface permits the apparent contradiction, to spin with reduced twist coefficient if the contact pressure of the yarn on the navel shell and thus the rotor speed or the rotor diameter to be increased at the same time.

This is possible only due to the gentle fiber integration, fiber guidance and insertion of false twist of the SPIRIT navels.



tailor-made products

